

FLOW, NEEDLE & CHECK VALVES

HYDRAULIC BALL VALVES

WELD COUPLINGS

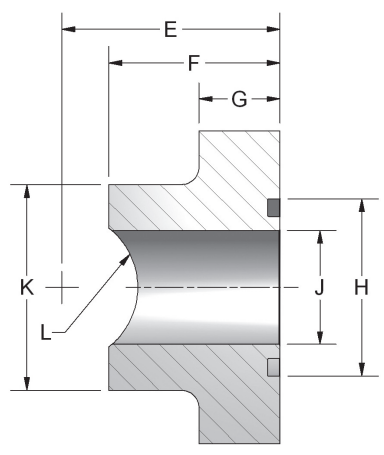
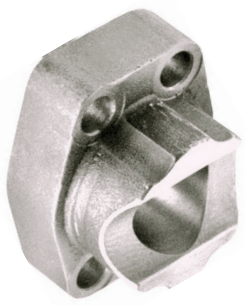


Figure 1

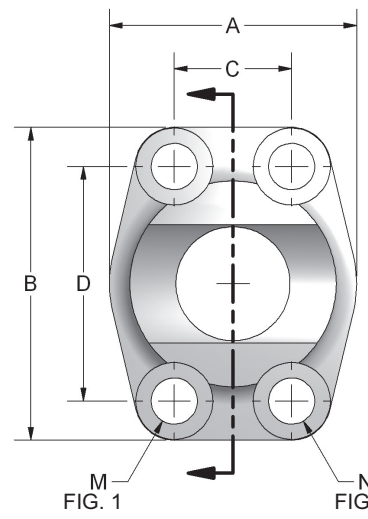


Figure 2

\*No Spotface

FLANGES - CARBON STEEL

FLANGES - STAINLESS STEEL

CODE 61 SADDLE WELD - PIPE																		
PART NO. O-RING FIG. 1	PART NO. FLAT FACE FIG. 2	PIPE SIZE	PAD SIZE	A	B	C	D	E	F	G	H	J	K	L	M	N UNC-2B	MOUNTING HARDWARE	
																	O-RING	SHCS
W8-12-12	W7-12-12	.75	.75	1.97	2.56	.875	1.875	1.775	1.42	.71	1.250	.752	1.54	.532	.406	3/8-16	214	3/8-16X1.50
W8-16-16	W7-16-16	1.00	1.00	2.17	2.75	1.031	2.062	1.912	1.50	.71	1.560	1.002	1.81	.665	.406	3/8-16	219	3/8-16X1.50
W8-20-20	W7-20-20	1.25	1.25	2.68	3.12	1.188	2.312	2.146	1.61	.83	1.750	1.252	2.22	.837	.469	7/16-14	222	7/16-14X1.75
W8-24-24	W7-24-24	1.50	1.50	3.07	3.66	1.406	2.750	2.290	1.77	.98	2.115	1.502	2.50	.957	.531	1/2-13	225	1/2-13X1.75
W8-32-32	W7-32-32	2.00	2.00	3.54	4.00	1.688	3.062	2.340	1.77	.98	2.490	2.002	3.12	1.200	.531	1/2-13	228	1/2-13X1.75
W8-40-40	W7-40-40	2.50	2.50	4.09	4.49	2.000	3.500	2.660	1.97	.98	2.995	2.502	3.62	1.451	.531	1/2-13	232	1/2-13X1.75

CODE 61 SADDLE WELD - TUBE																		
PART NO. O-RING FIG. 1	PART NO. FLAT FACE FIG. 2	TUBE SIZE	PAD SIZE	A	B	C	D	E	F	G	H	J	K	L	M	N UNC-2B	MOUNTING HARDWARE	
																	O-RING	SHCS
W87-12-12	W69-12-12	.75	.75	1.97	2.56	.875	1.875	1.420	1.42	.71	1.250	.752	1.54	.382	.406	3/8-16	214	3/8-16X1.50
W87-16-12	W69-16-12	1.00	.75	1.97	2.56	.875	1.875	1.737	1.42	.71	1.250	.752	1.54	.507	.406	3/8-16	214	3/8-16X1.50
W87-16-16	W69-16-16	1.00	1.00	2.17	2.75	1.031	2.062	1.500	1.50	.71	1.560	1.002	1.81	.507	.406	3/8-16	219	3/8-16X1.50
W87-20-16	W69-20-16	1.25	1.00	2.17	2.75	1.031	2.062	1.858	1.50	.71	1.560	1.002	1.81	.632	.406	3/8-16	219	3/8-16X1.50
W87-20-20	W69-20-20	1.25	1.25	2.68	3.12	1.188	2.312	1.665	1.61	.83	1.750	1.252	2.22	.632	.469	7/16-14	222	7/16-14X1.75
W87-24-20	W69-24-20	1.50	1.25	2.68	3.12	1.188	2.312	2.022	1.61	.83	1.750	1.252	2.22	.757	.469	7/16-14	222	7/16-14X1.75
W87-28-24	W69-28-24	1.75	1.50	3.07	3.66	1.406	2.750	2.198	1.77	.98	2.115	1.502	2.50	.882	.531	1/2-13	225	1/2-13X1.75
W87-32-32	W69-32-32	2.00	2.00	3.54	4.00	1.688	3.062	2.262	1.77	.98	2.490	1.691	2.38	1.007	.531	1/2-13	228	1/2-13X1.75
W87-36-32	W69-36-32	2.25	2.00	3.54	4.00	1.688	3.062	2.247	1.77	.98	2.490	2.002	3.12	1.132	.531	1/2-13	228	1/2-13X1.75