

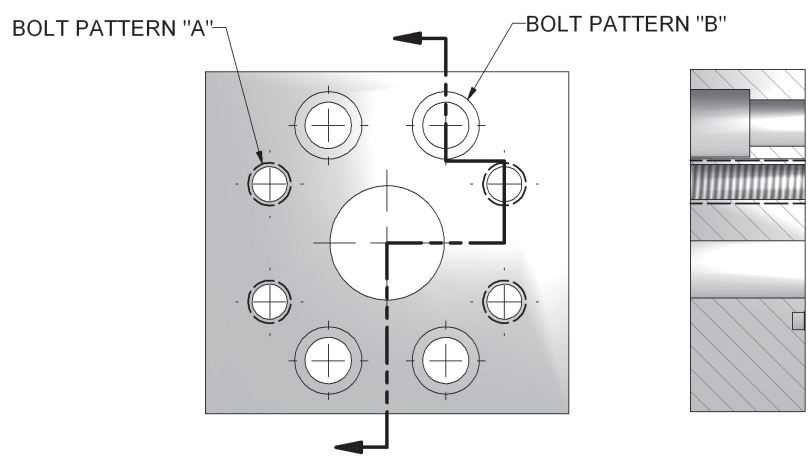
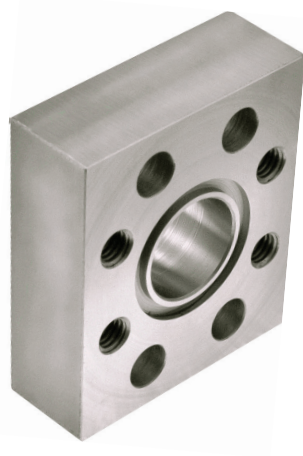
FLOW, NEEDLE & CHECK VALVES

HYDRAULIC BALL VALVES

WELD COUPLINGS

FLANGES - CARBON STEEL

FLANGES - STAINLESS STEEL



Outer envelope shape may vary due to size configuration.

Ordering Information

AFA - 1261 - 3262

